

# WIND RIVER

## Ryan 52" Indoor LED Energy Star Ceiling Fan

Model: WR2115MW



### SPECIFICATIONS

Motor Type	DC Motor	Control Type	Pull Chain
Motor Size (mm)	145 x 18	Reverse Type	Manual Control
Motor Finish	Matte White	Mounting Type	Downrod
Fan Speeds	3	Weight	12.56 lbs

### LIGHT KIT SPECIFICATIONS

Light Source	Integrated LED
Bulb Type	Integrated LED
LED Temperature	3000K
Lens Material	Polycarbonate
Lens Finish	White Opal
Lumens	1758

### BLADE SPECIFICATIONS

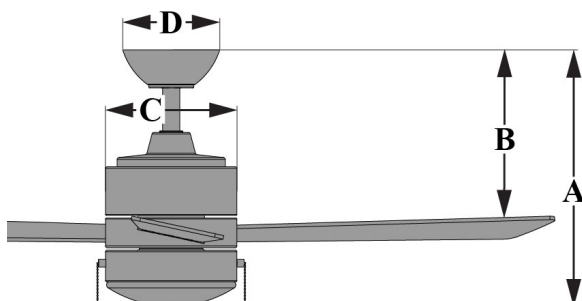
Blade Sweep (inches)	52"
Number of Blades	3
Blade Material	Plywood
Blade Pitch	12°
Blade Finish	Matte White

### SHIPPING SPECIFICATIONS

Gross Weight	15.55 lbs
Box Size	26.77" x 11.45" x 9.45"
Cubic Feet	1.68 cu ft

### WARRANTY AND SAFETY

Warranty	Limited Lifetime Warranty
ETL Certified	Dry Rated
Electrical Rating	120V, 60Hz



A: 15.6" B: 11.5" C: 8.0" D: 5.9"

Speed	Amps	Watts	RPM	CFM
Low	0.07	2.72	77	1759
Medium	0.16	8.48	132	3030
High	0.51	32.72	209	5125

\*NOTE: These are approximate measures. They do not include amps and wattage used by the lighting kit.