

WIND RIVER

Ryan 52" Indoor LED Energy Star Ceiling Fan

Model: WR2115MB



SPECIFICATIONS

Motor Type	DC Motor	Control Type	Pull Chain
Motor Size (mm)	145 x 18	Reverse Type	Manual Control
Motor Finish	Matte Black	Mounting Type	Downrod
Fan Speeds	3	Weight	12.56 lbs

LIGHT KIT SPECIFICATIONS

Light Source	Integrated LED
Bulb Type	Integrated LED
LED Temperature	3000K
Lens Material	Polycarbonate
Lens Finish	White Opal
Lumens	1758

BLADE SPECIFICATIONS

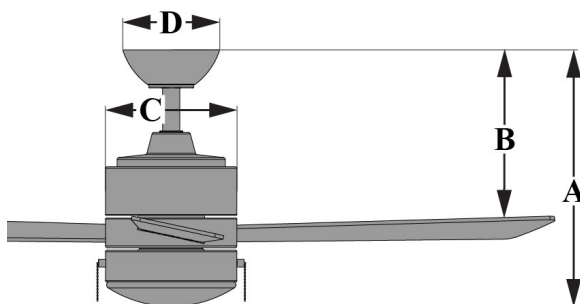
Blade Sweep (inches)	52"
Number of Blades	3
Blade Material	Plywood
Blade Pitch	12°
Blade Finish	Matte Black

SHIPPING SPECIFICATIONS

Gross Weight	15.55 lbs
Box Size	26.77" x 11.45" x 9.45"
Cubic Feet	1.68 cu ft

WARRANTY AND SAFETY

Warranty	Limited Lifetime Warranty
ETL Certified	Dry Rated
Electrical Rating	120V, 60Hz



A: 15.6" B: 11.5" C: 8.0" D: 5.9"

Speed	Amps	Watts	RPM	CFM
Low	0.07	2.72	77	1759
Medium	0.16	8.48	132	3030
High	0.51	32.72	209	5125

*NOTE: These are approximate measures. They do not include amps and wattage used by the lighting kit.